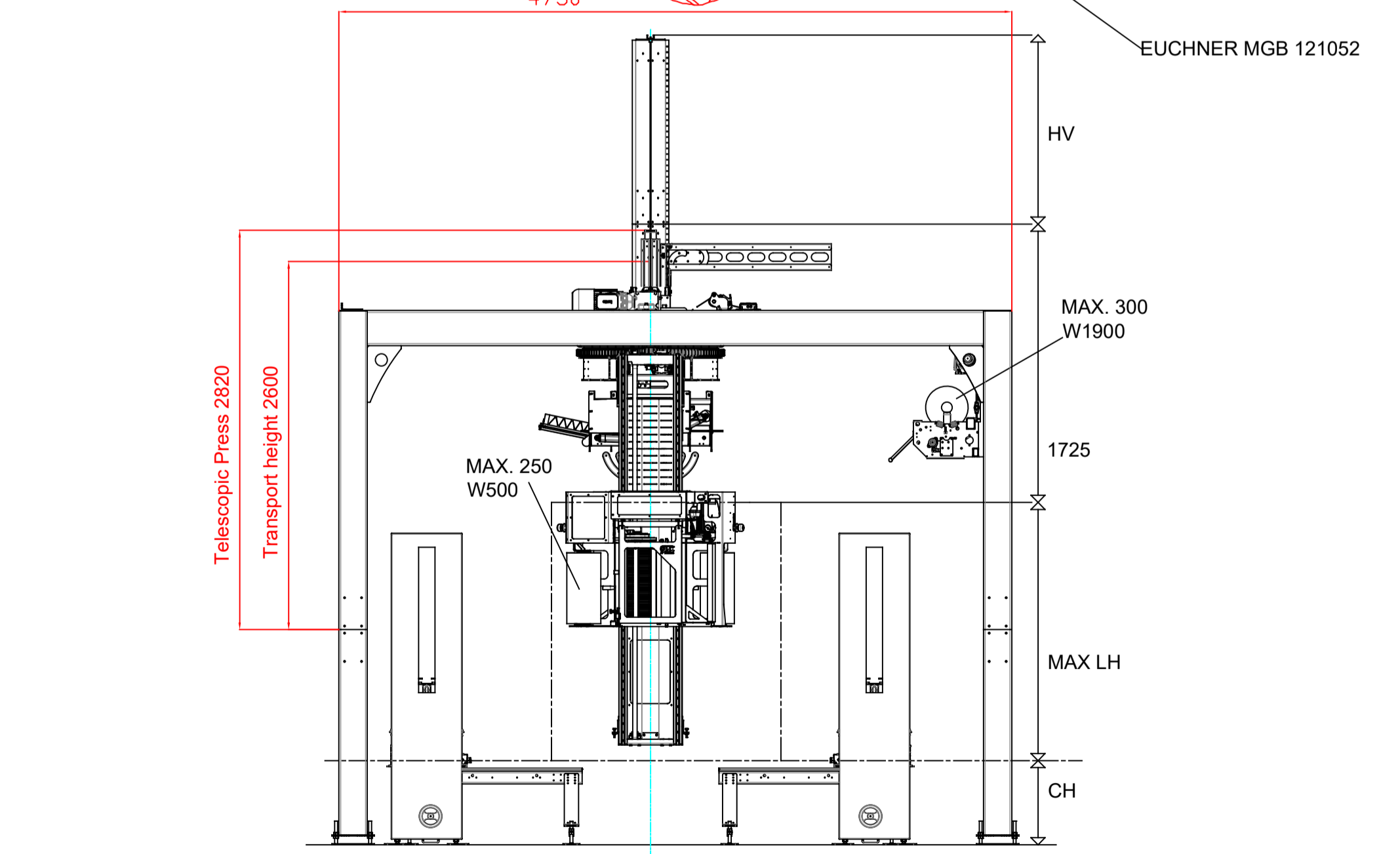
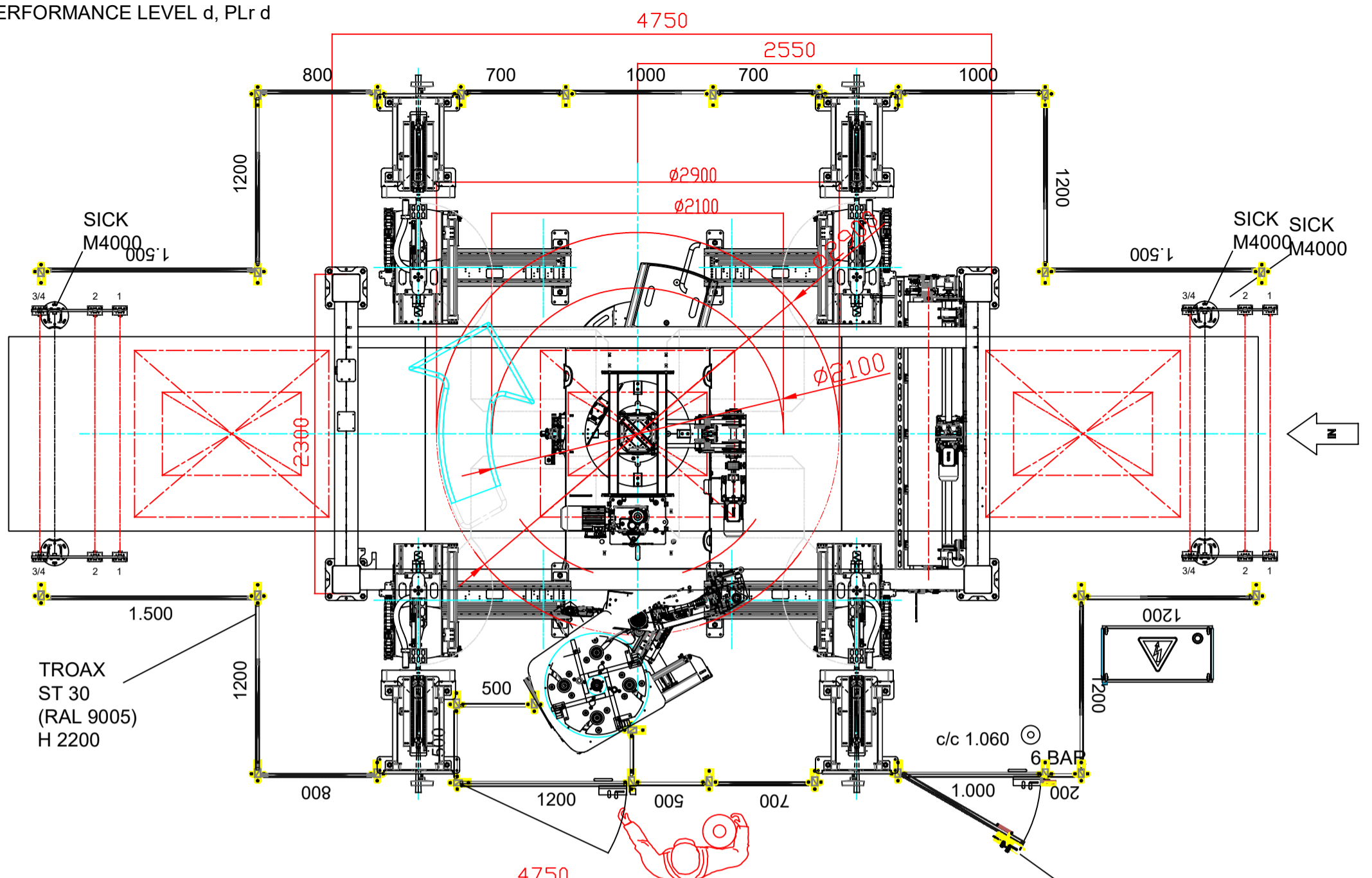


PERFORMANCE LEVEL d, PLr d



CH=CONVEYOR HEIGHT
 LH=LOAD MAX. HEIGHT
 HV=MAX. LOAD- MIN. LOAD HEIGHT (MAX1700)

TOTAL HEIGHT:
 CH+LH+1725+HV=

TRANSPORT DIMENSIONS:
 H2700xW2300xL4750

MIN PALLET SIZE W400 x L500

Rev	Muutos	Status	Pvm	Suunnittelija
Drawn		Material	Revision	Scale
		Drawing Number	A4	1:50
		OMC-H2100 CPA RCA TSC		